

Ribbon Shredder

for Security Assurance

Security Assurance

Protecting personal information is paramount and IDP SMART-BIT shredder is specially designed to ensure the secure destruction of used ID Card Printer Ribbon with personal information.

Complete Shredding

* Twisted Micro-Cut Technology

With the IDP's Twisted Micro-Cut Technology (Patent pending), SMART-BIT uses unique twist and cut motions to completely shred ID Card Printer ribbon panels into tiny unrecognizable particles.

Flexible Card Printer Ribbon Compatibility

The SMART-BIT is designed to accommodate the industry's popular brands of direct-to-card printer ribbons.

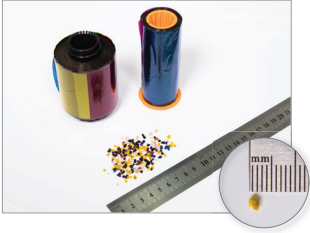
Compact Easy-to-use Design

SMART-BIT is compact and light weight in design and will easily fit into any office desktop environment. The SMART-BIT's waste bag will ensure complete capture of ribbon particles and simple transfer to a waste bin.



smartBIT®

Complete Shredding



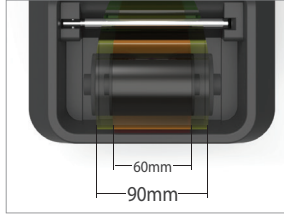
With the IDP's Twisted Micro-Cut Technology, SMART-BIT uses its unique twist and cut motions to completely shred ribbon panels into tiny particles. (*Patent pending)

Easy-to-use



Easy to use interface, and the shredded ribbons can be easily discarded using the SMART-BIT Waste Bag when full.

Flexible Ribbon Compatibility



The SMART-BIT will accommodate the industry's popular brands of direct-to-card desktop printer ribbons.

Compact Design

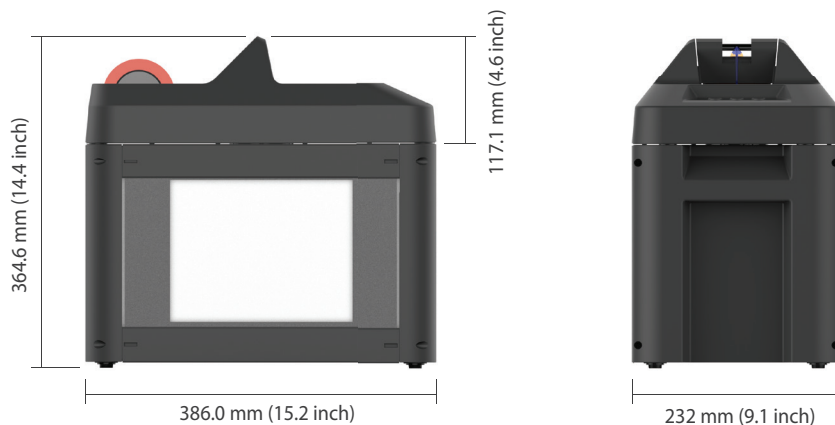


The SMART-BIT is simple to use and has a compact size and light weight design that can easily fit into any office desktop environment.

Specifications

Shredable Ribbon Type	Dye-Sublimation Ribbon, Resin & Wax Ribbon
Shredable Ribbon Width	60mm to 90mm (Installable Ribbon Core Width : Max. 120mm)
Installable Ribbon Diameter	Max. Ø80
Shredding Speed	Max. 20 meters/minute
Shredder Bin Capacity	6 Rolls (YMCKO, 250 cards/roll)
Cutting Type	Twisted Micro Cut *Patent pending
Shredded Particle Size	Approx. 2.5mm
Control	Speed (Normal or Fast mode), Start & Stop, Reverse
Auto Stop	Finished Shredding, Ribbon Jam
Interface	4 LEDs, 3 Buttons
Warranty	Approx. 100 km
Power Consumption	DC 24V, 2A
Temperature / Humidity	15~35°C / 35~70%
Dimensions (W x H x L) Weight	232 x 364.6 x 386 mm / 9.1 x 14.4 x 15.2 inch Approx. 4.8 kg / 10.6 lbs

Dimensions



Specifications and availability may change without notice.

Distributed by:



7630 Commerce Way
Eden Prairie, MN 55344
888.437.9783 Toll Free
952.975.0660 Fax
www.identisys.com

